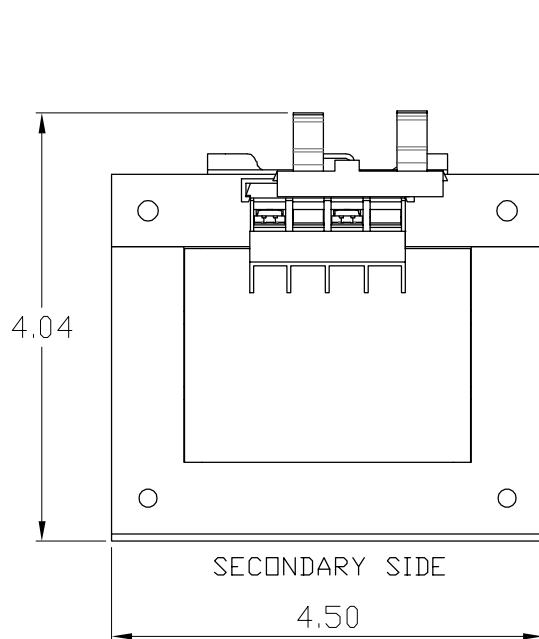
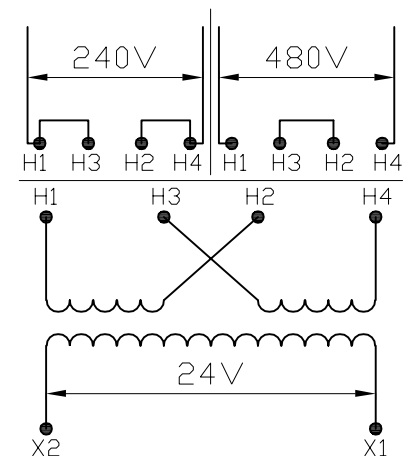
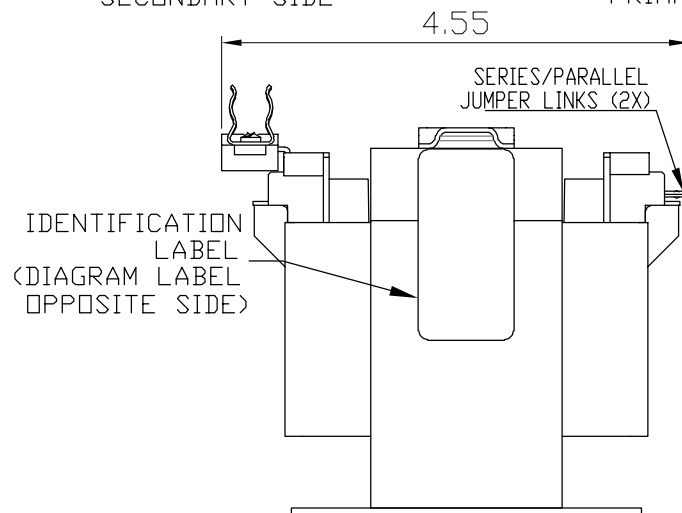


TRANSFORMER SPECIFICATIONS	
PRIMARY VOLTAGE(S)	240x480
SECONDARY VOLTAGE(S)	24
RATED V.A.	250
RATED FREQUENCY	50/60
INSULATION CLASS	130°C @ MAX. Rise 80°C
AGENCY APPROVALS	UL, CUL
ESTIMATED WEIGHT	10.0 LBS



SECONDARY SIDE PRIMARY SIDE



CONNECTION DIAGRAM

DIMENSIONS ARE IN INCHES

TOLERANCES:  
 .XX ± .03  
 .XXX ± .010  
 ANGULAR: ± 1°

SOURCE N/A

MATERIAL N/A


FINISH N/A

DO NOT SCALE DRAWING

NAME	DATE
DRAWN BY: VS	05/14/2020
CHECKED BY:	

PROPRIETARY AND CONFIDENTIAL

THE INFORMATION CONTAINED IN THIS DRAWING IS THE SOLE PROPERTY OF ACME. ANY REPRODUCTION IN PART OR AS A WHOLE WITHOUT THE WRITTEN PERMISSION OF ACME IS PROHIBITED.

 <b>Acme Electric®</b>	
DESCRIPTION 250 VA	
SIZE	DWG. NO. A TB250N013F0