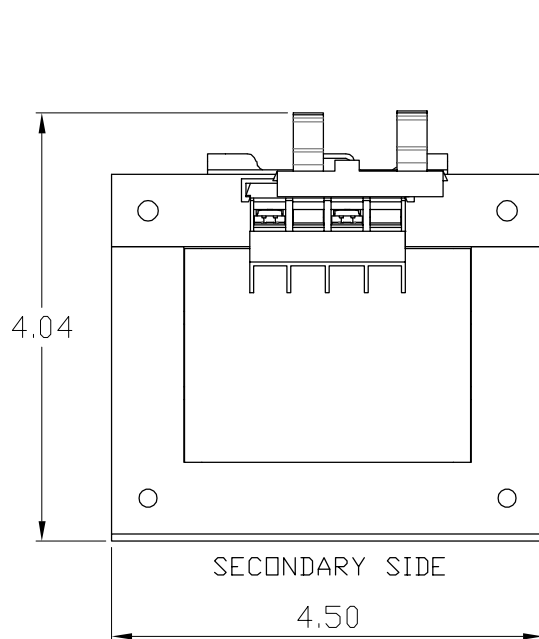
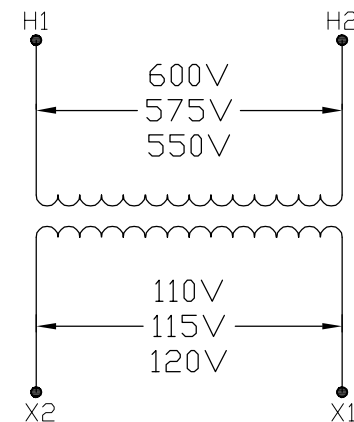
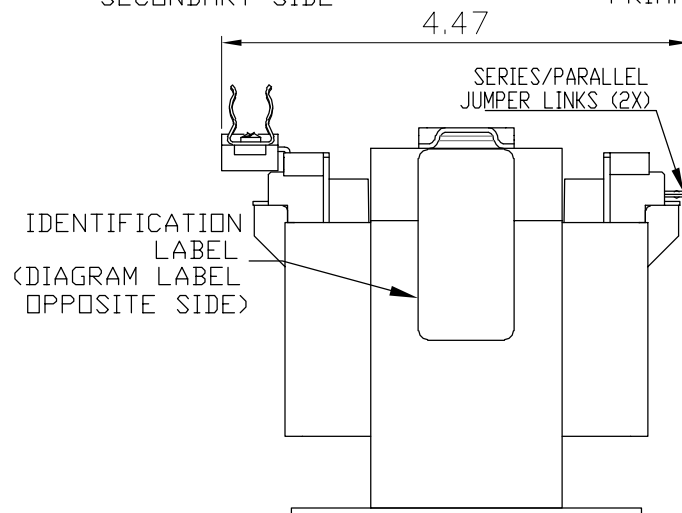


TRANSFORMER SPECIFICATIONS	
PRIMARY VOLTAGE(S)	550/575/600
SECONDARY VOLTAGE(S)	110/115/120
RATED V.A.	250
RATED FREQUENCY	50/60
INSULATION CLASS	130°C @ MAX. Rise 80°C
AGENCY APPROVALS	UL, CUL
ESTIMATED WEIGHT	10.0 LBS




SECONDARY SIDE PRIMARY SIDE



CONNECTION DIAGRAM

DIMENSIONS ARE IN INCHES TOLERANCES: .XX ± .03 .XXX ± .010 ANGULAR: ± 1°	DRAWN BY:	NAME	DATE
	CHECKED BY:	VS	05/14/2020
SOURCE	N/A PROPRIETARY AND CONFIDENTIAL		
MATERIAL	N/A THE INFORMATION CONTAINED IN THIS DRAWING IS THE SOLE PROPERTY OF ACME. ANY REPRODUCTION IN PART OR AS A WHOLE WITHOUT THE WRITTEN PERMISSION OF ACME IS PROHIBITED.		
FINISH	N/A		
DO NOT SCALE DRAWING			

 Acme Electric®		DESCRIPTION
		250 VA
SIZE	DWG. NO.	TB250N017F0