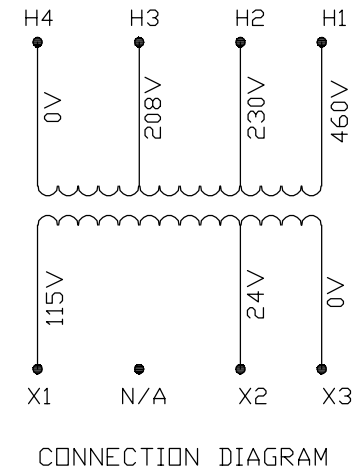
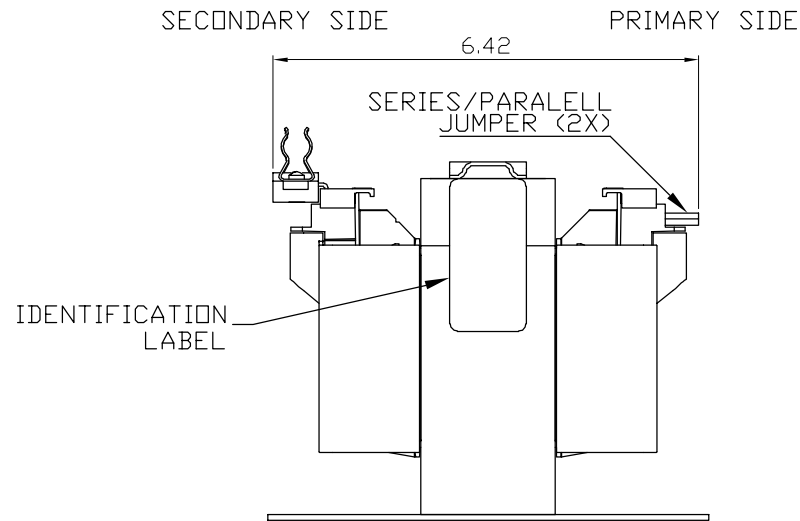
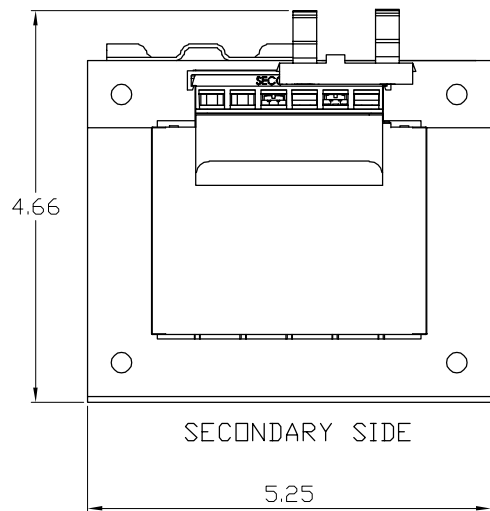
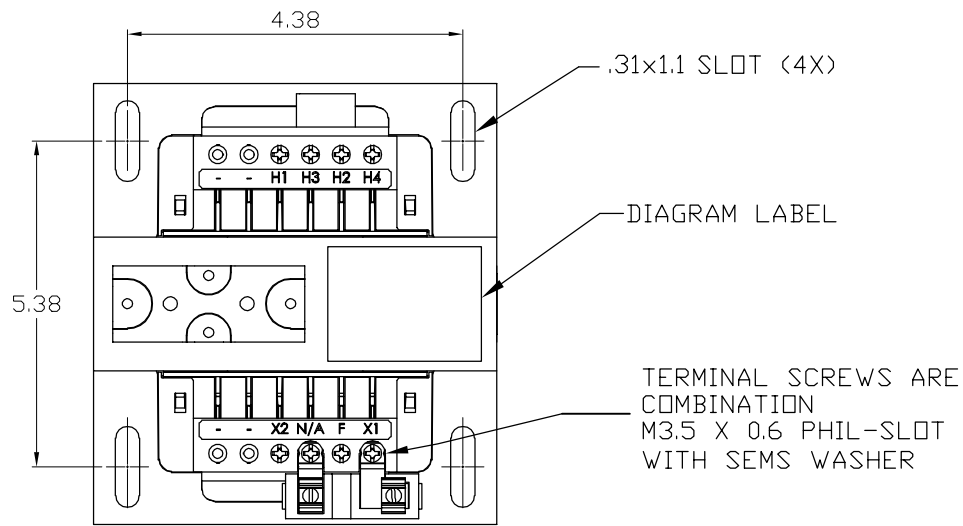


| TRANSFORMER SPECIFICATIONS | |
|----------------------------|------------------------|
| PRIMARY VOLTAGE(S) | 208/230/460 |
| SECONDARY VOLTAGE(S) | 24/115 |
| RATED V.A. | 500 |
| RATED FREQUENCY | 50 / 60 |
| INSULATION CLASS | 130°C @ MAX. RISE 80°C |
| AGENCY APPROVALS | UL, CUL |
| ESTIMATED WEIGHT | 28.1 LBS |



| | | |
|--|--|------------|
| DIMENSIONS ARE IN INCHES TOLERANCES: .XX ± .03 .XXX ± .010 ANGULAR: ± 1° | NAME | DATE |
| | DRAWN BY: VS | 05/07/2020 |
| SOURCE N/A | CHECKED BY: | |
| MATERIAL N/A | PROPRIETARY AND CONFIDENTIAL | |
| FINISH N/A | THE INFORMATION CONTAINED IN THIS DRAWING IS THE SOLE PROPERTY OF ACME. ANY REPRODUCTION IN PART OR AS A WHOLE WITHOUT THE WRITTEN PERMISSION OF ACME IS PROHIBITED. | |
| DO NOT SCALE DRAWING | | |



| | | |
|--------------|----------|-------------|
| DESCRIPTION: | | 500 VA |
| SIZE | DWG. NO. | TB500N004F0 |
| A | | |