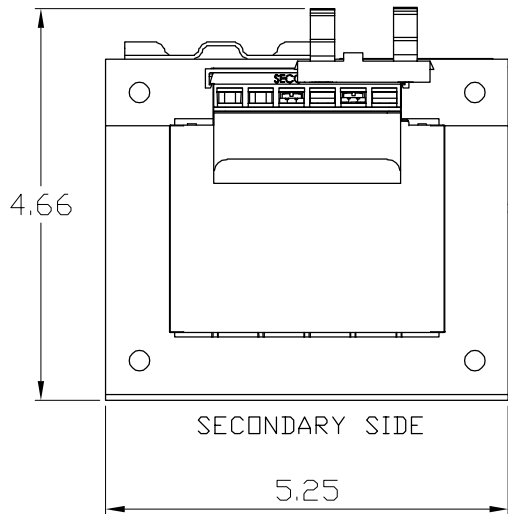
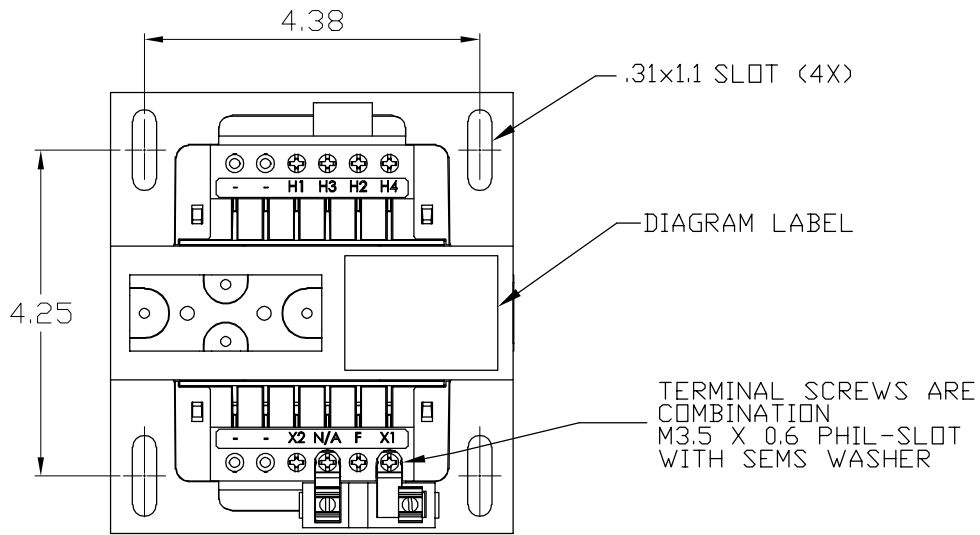
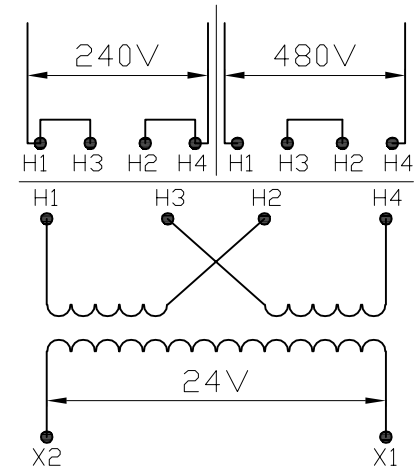
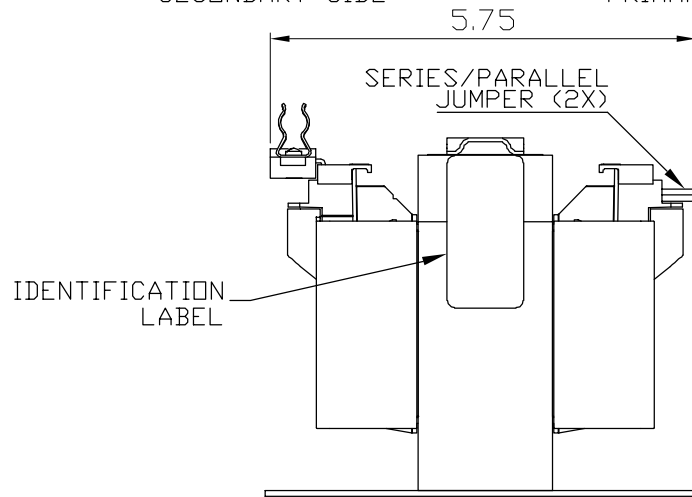


TRANSFORMER SPECIFICATIONS	
PRIMARY VOLTAGE(S)	240x480
SECONDARY VOLTAGE(S)	24
RATED V.A.	500
RATED FREQUENCY	50 / 60
INSULATION CLASS	130°C @ MAX. RISE 80°C
AGENCY APPROVALS	UL, CUL
ESTIMATED WEIGHT	19.2 LBS



SECONDARY SIDE PRIMARY SIDE



CONNECTION DIAGRAM

DIMENSIONS ARE IN INCHES TOLERANCES: .XX ± .03 .XXX ± .010 ANGULAR: ± 1°	DRAWN BY:	NAME	DATE
	CHECKED BY:	VS	05/14/2020
SOURCE	N/A		
MATERIAL	N/A		
FINISH	N/A		
DO NOT SCALE DRAWING	PROPRIETARY AND CONFIDENTIAL THE INFORMATION CONTAINED IN THIS DRAWING IS THE SOLE PROPERTY OF ACME. ANY REPRODUCTION IN PART OR AS A WHOLE WITHOUT THE WRITTEN PERMISSION OF ACME IS PROHIBITED.		



DESCRIPTION:		500 VA
SIZE	DWG. NO.	TB500N013F0
A		