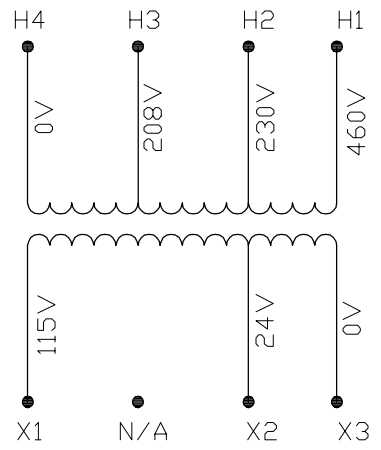
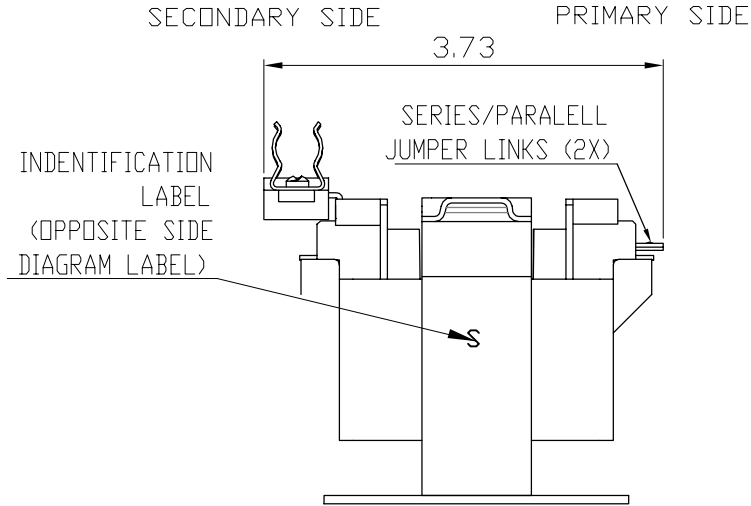
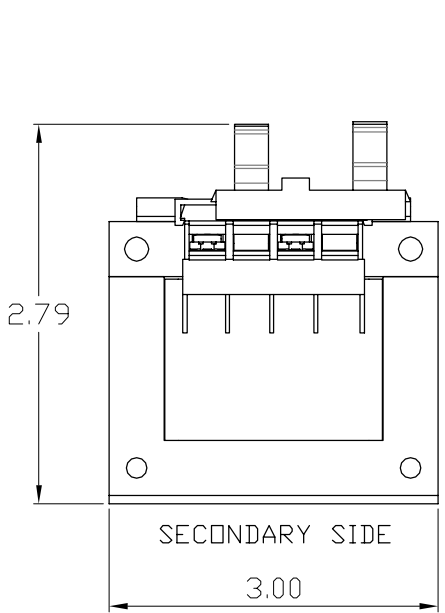
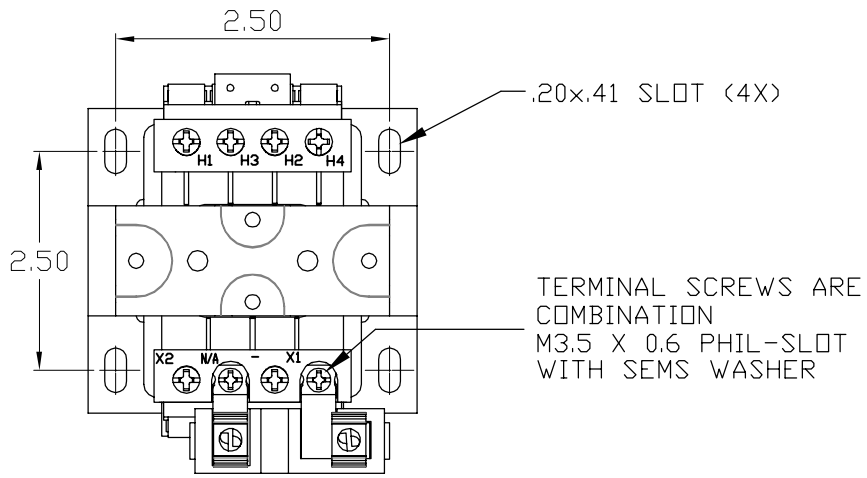



TRANSFORMER SPECIFICATIONS	
PRIMARY VOLTAGE(S)	208/230/460
SECONDARY VOLTAGE(S)	24/115
RATED V.A.	50
RATED FREQUENCY	50/60
INSULATION CLASS	130°C @ MAX. RISE 55°C
AGENCY APPROVALS	UL, CUL
ESTIMATED WEIGHT	3.5 LBS



CONNECTION DIAGRAM

DIMENSIONS ARE IN INCHES TOLERANCES: .XX ± .03 .XXX ± .010 ANGULAR: ± 1°	DRAWN BY:	NAME	DATE
	CHECKED BY:	VS	05/07/2020
SOURCE	N/A		
MATERIAL	N/A		
FINISH	N/A		
DO NOT SCALE DRAWING	PROPRIETARY AND CONFIDENTIAL THE INFORMATION CONTAINED IN THIS DRAWING IS THE SOLE PROPERTY OF ACME. ANY REPRODUCTION IN PART OR AS A WHOLE WITHOUT THE WRITTEN PERMISSION OF ACME IS PROHIBITED.		



Acme Electric®

DESCRIPTION:
50 VA

SIZE DWG. NO. A TB50N004F0