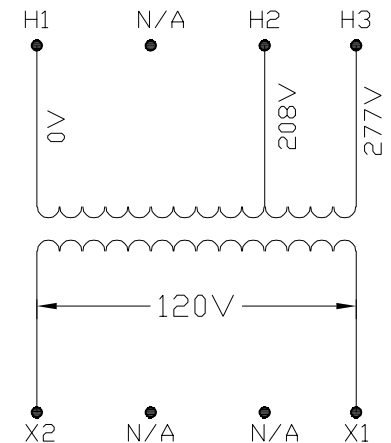
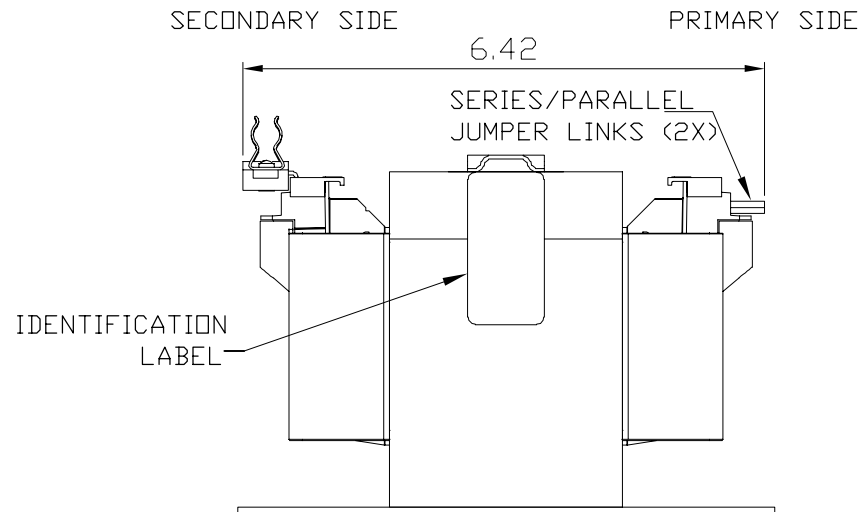
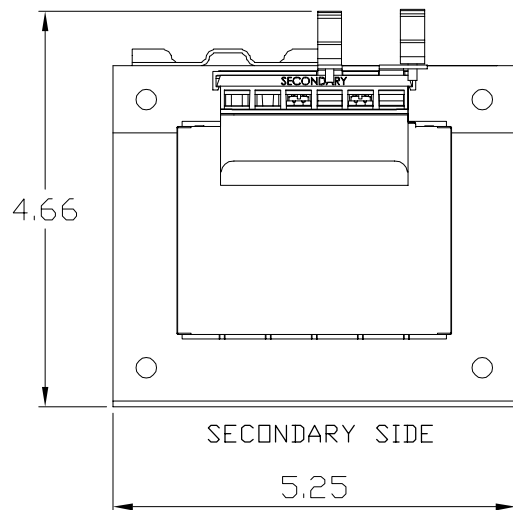


TRANSFORMER SPECIFICATIONS	
PRIMARY VOLTAGE(S)	208/277
SECONDARY VOLTAGE(S)	120
RATED V.A.	750
RATED FREQUENCY	50/60
INSULATION CLASS	130°C @ MAX, RISE 80°C
AGENCY APPROVALS	UL, CUL
ESTIMATED WEIGHT	28.1 LBS



CONNECTION DIAGRAM

DIMENSIONS ARE IN INCHES		NAME	DATE
TOLERANCES:		DRAWN BY:	VS 05/08/2020
.XX ± .03		CHECKED BY:	
.XXX ± .010			
ANGULAR: ± 1°			
SOURCE	N/A	PROPRIETARY AND CONFIDENTIAL	
MATERIAL	N/A	THE INFORMATION CONTAINED IN THIS DRAWING IS THE SOLE PROPERTY OF ACME. ANY REPRODUCTION IN PART OR AS A WHOLE WITHOUT THE WRITTEN PERMISSION OF ACME IS PROHIBITED.	
FINISH	N/A		
DO NOT SCALE DRAWING			



DESCRIPTION:	
750 VA	
SIZE	DWG. NO. TB750N006F0
A	