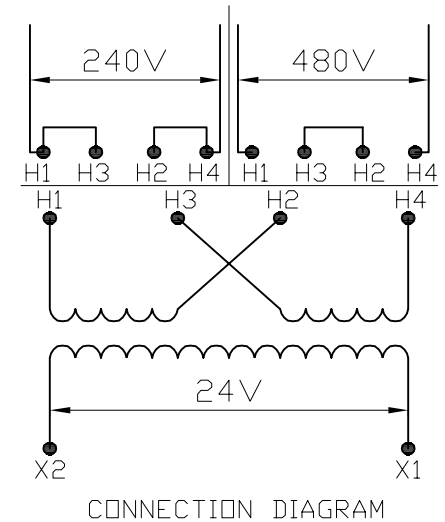
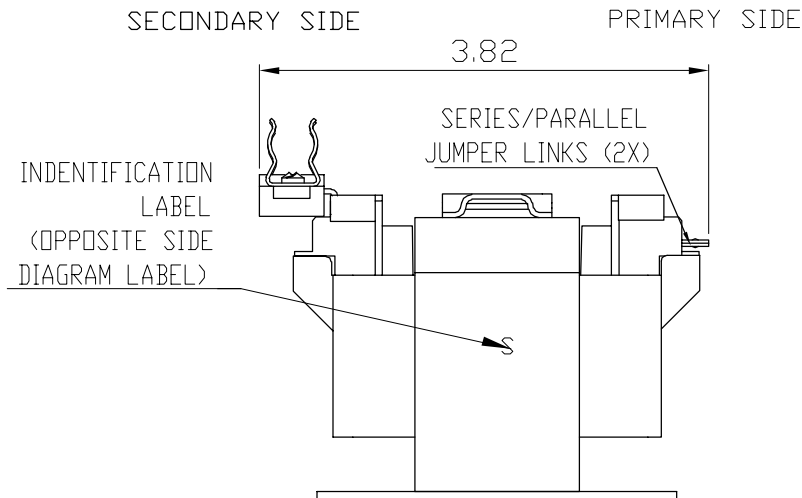
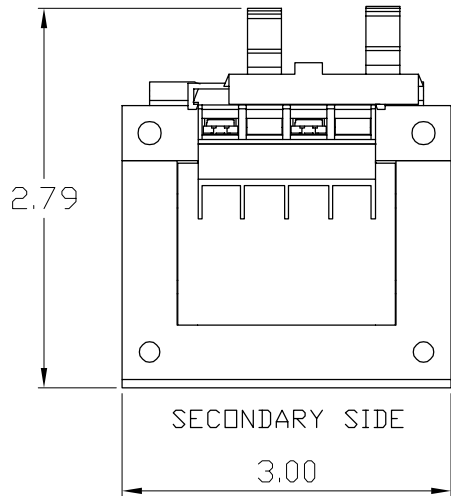



TRANSFORMER SPECIFICATIONS	
PRIMARY VOLTAGE(S)	240x480
SECONDARY VOLTAGE(S)	24
RATED V.A.	75
RATED FREQUENCY	50/60
INSULATION CLASS	130°C @ MAX. RISE 55°C
AGENCY APPROVALS	UL, CUL
ESTIMATED WEIGHT	3.5 LBS



DIMENSIONS ARE IN INCHES TOLERANCES: .XX ± .03 .XXX ± .010 ANGULAR: ± 1° SOURCE N/A MATERIAL N/A FINISH N/A DO NOT SCALE DRAWING	NAME	DATE
	DRAWN BY: VS	05/14/2020
	CHECKED BY:	
	PROPRIETARY AND CONFIDENTIAL	
THE INFORMATION CONTAINED IN THIS DRAWING IS THE SOLE PROPERTY OF ACME. ANY REPRODUCTION IN PART OR AS A WHOLE WITHOUT THE WRITTEN PERMISSION OF ACME IS PROHIBITED.		



Acme Electric®

DESCRIPTION:
75 VA

SIZE DWG. NO. A TB75N013F0