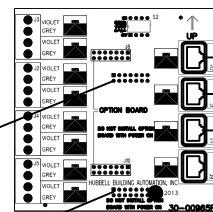
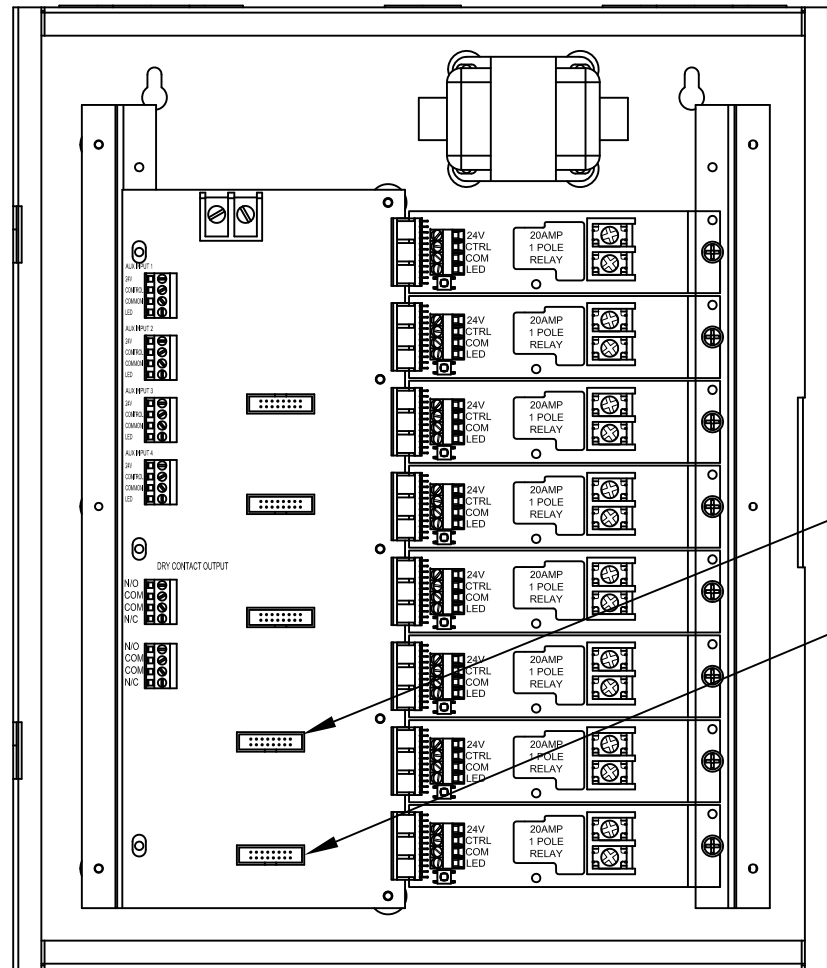


RJ45 is T568B Standard

LVS Switch Typical Functions

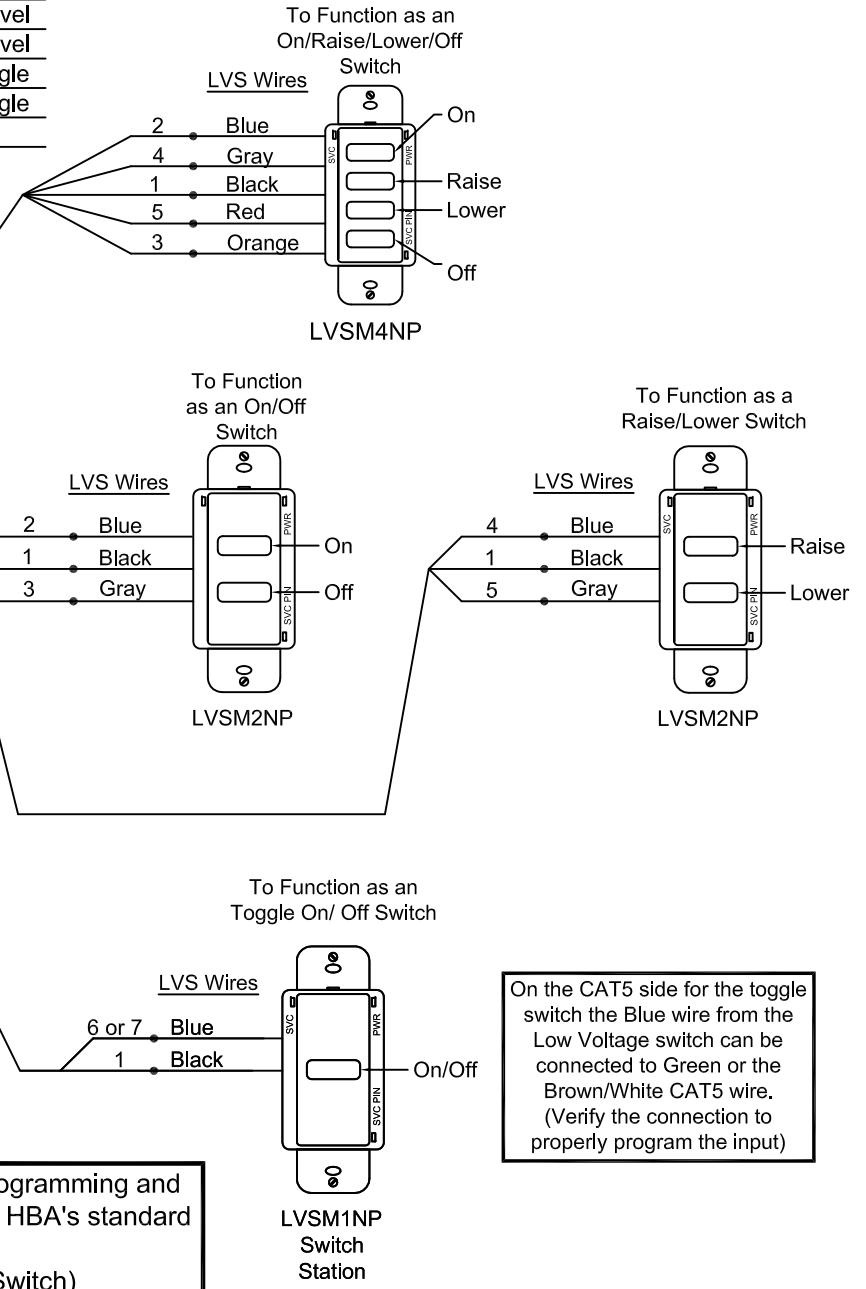
RJ45 Connects to CX Dimming Card

1	Orange/White	+24V
2	A Orange	On only
3	B Green/White	Off only
4	C Blue	Raise Dimmed Level
5	D Blue/White	Lower Dimmed Level
6	E Green	On/Off Toggle
7	F Brown/White	On/Off Toggle
8	Brown	



Low Voltage Dimming wires go to the Dimming Driver/Ballast of the Zone or Fixtures.

CAT5 Cable
CAT5 Cable
CAT5 Cable



On the CAT5 side for the toggle switch the Blue wire from the Low Voltage switch can be connected to Green or the Brown/White CAT5 wire. (Verify the connection to properly program the input)

When using a LVS Switch with the Dimming Card, the switch station's programming and low voltage wiring into a CAT5 cable will help determine the functionality. HBA's standard applications are as follows.
 ON only - Will typically be programmed as a Preset ON functionality, (A Switch)
 OFF only - Will typically be programmed as a Preset OFF functionality, (B Switch)
 Raise - Will typically be programmed as a raise light level functionality, (C Switch)
 Lower - Will typically be programmed as a lower light level functionality, (D Switch)
 ON/OFF Toggle - Will typically be programmed to toggle the lights on and off, (E or F)
 There is no LED Functionality when using the CAT5 Cable.

NOTES:

1. Caution: ALWAYS remove supply power to the Panel control Transformer prior to making any connections between dimming boards and panel processor board. Failure to do so may result in personnel injury, damage to the panel, and void its warranty.
2. Locate Option connectors on CX CPU Board. Verify Key alignment and firmly press board into place.



HUBBELL
Building Automation

CX08 Control Panel with Dimming Card and Low Voltage Switches

THIS DOCUMENT AND SPECIFICATIONS DESCRIBED WITHIN ARE THE EXCLUSIVE PROPERTY OF HUBBELL BUILDING AUTOMATION ISSUED IN THE STRICTEST CONFIDENCE, AND SHALL NOT BE REPRODUCED, COPIED OR USED WITHOUT PRIOR WRITTEN PERMISSION.