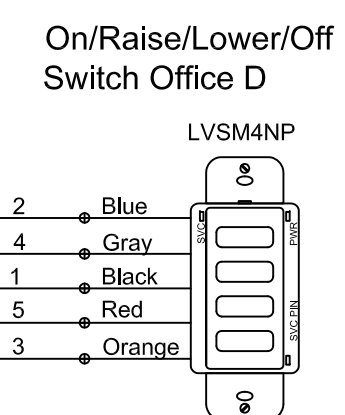
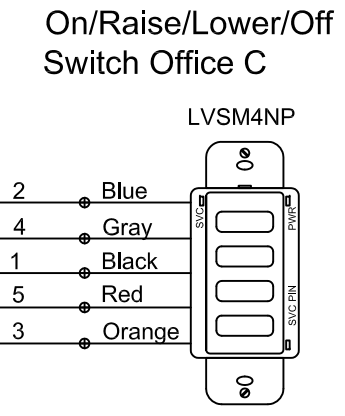
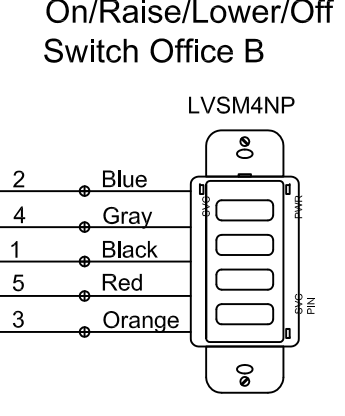
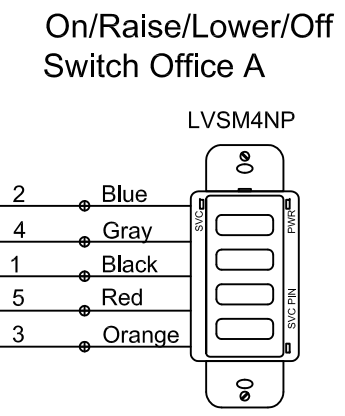
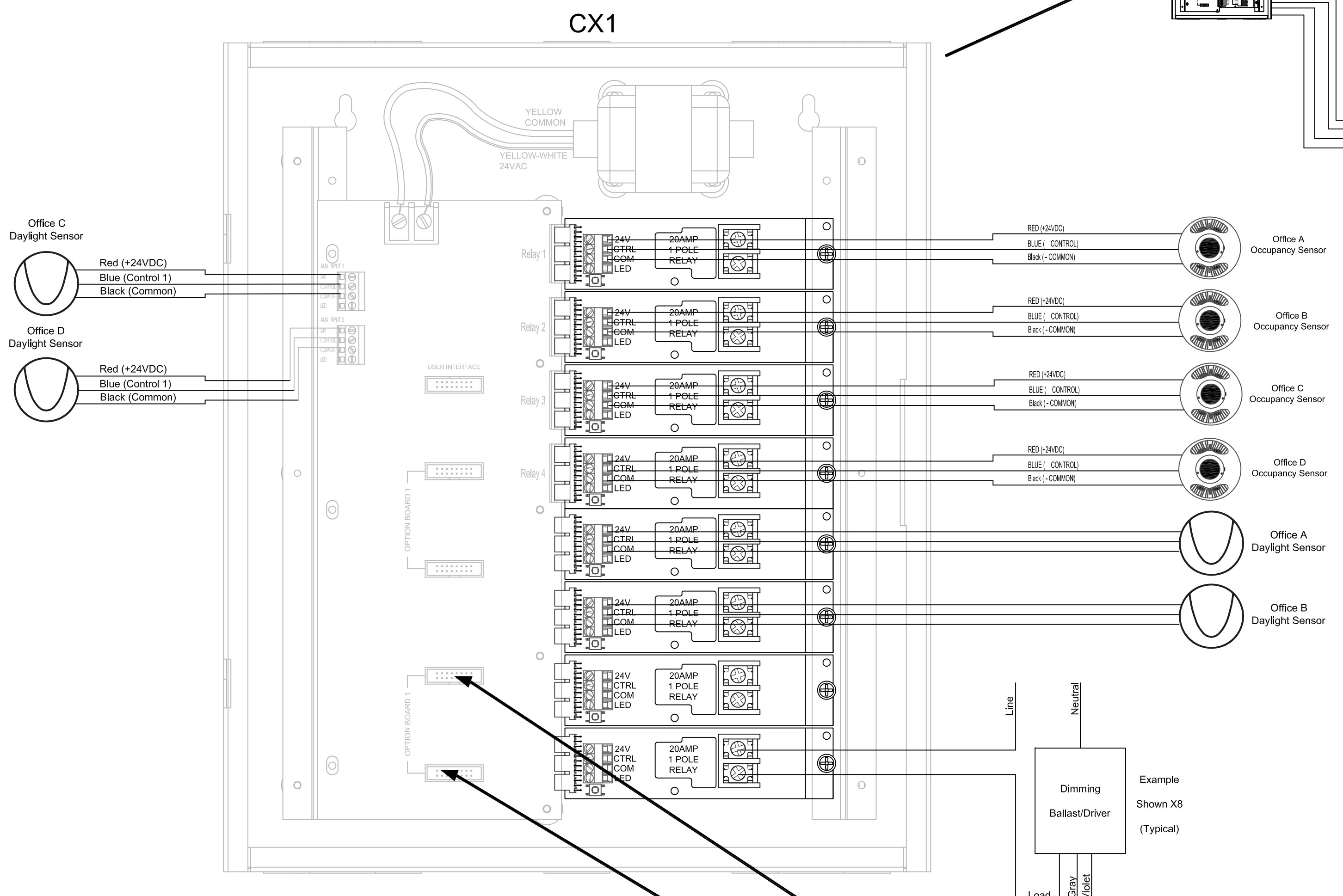
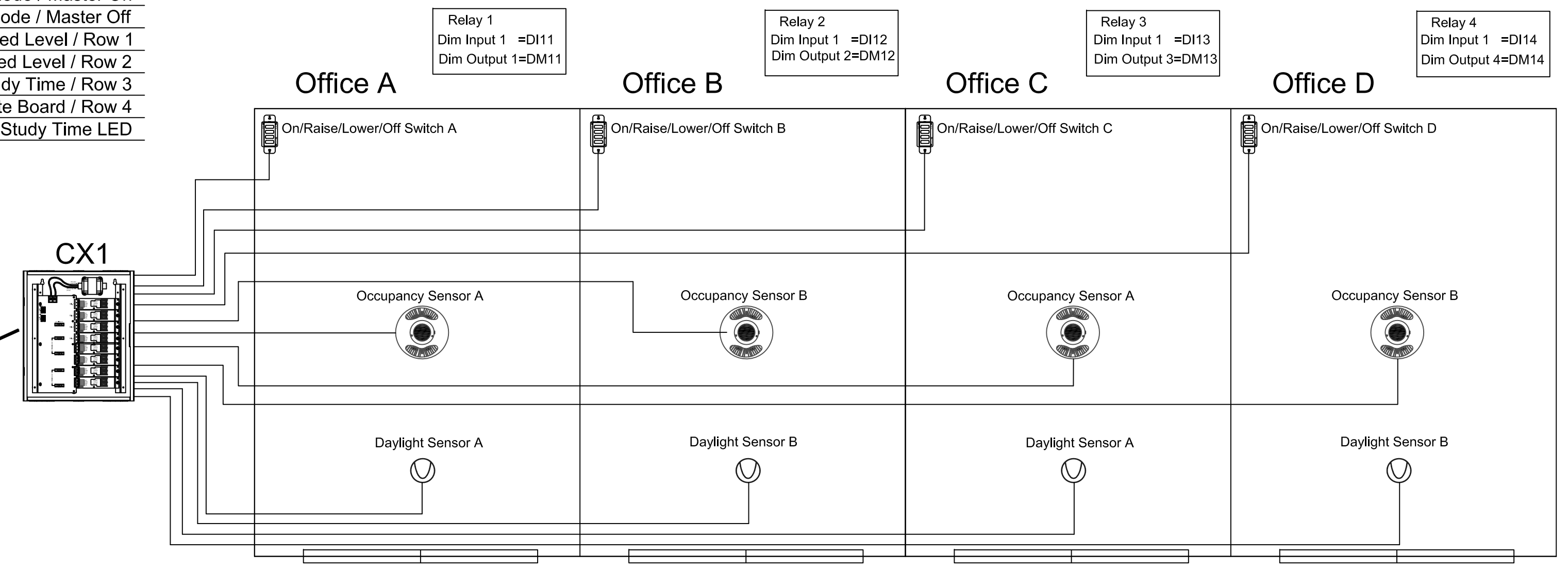


RJ45 Connects to CX Dimming Card	
1	Orange/White +24V
2	Orange General-Mode / Master On
3	Green/White AV-Mode / Master Off
4	Blue Raise Dimmed Level / Row 1
5	Blue/White Lower Dimmed Level / Row 2
6	Green Study Time / Row 3
7	Brown/White White Board / Row 4
8	Brown Study Time LED

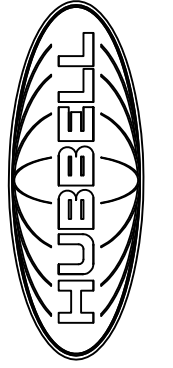


NOTES:

1. Caution: ALWAYS remove supply power to the Panel control Transformer prior to making any connections between dimming boards and panel processor board. Failure to do so may result in personnel injury, damage to the panel, and void its warranty.
2. Locate Option connectors on CX CPU Board. Verify Key alignment and firmly press board into place.
3. CX Panels with larger configuration have the capacity to control additional classrooms. Quantity to be determined.

Low Voltage Dimming wires go to the Dimming Driver/Ballast of the Zone or Fixtures.

CX08 Controlling multiple Office using with ORLO Switches, Occ Sensors, Photocell and Dimming Building Automation, Inc.



**CX
1**