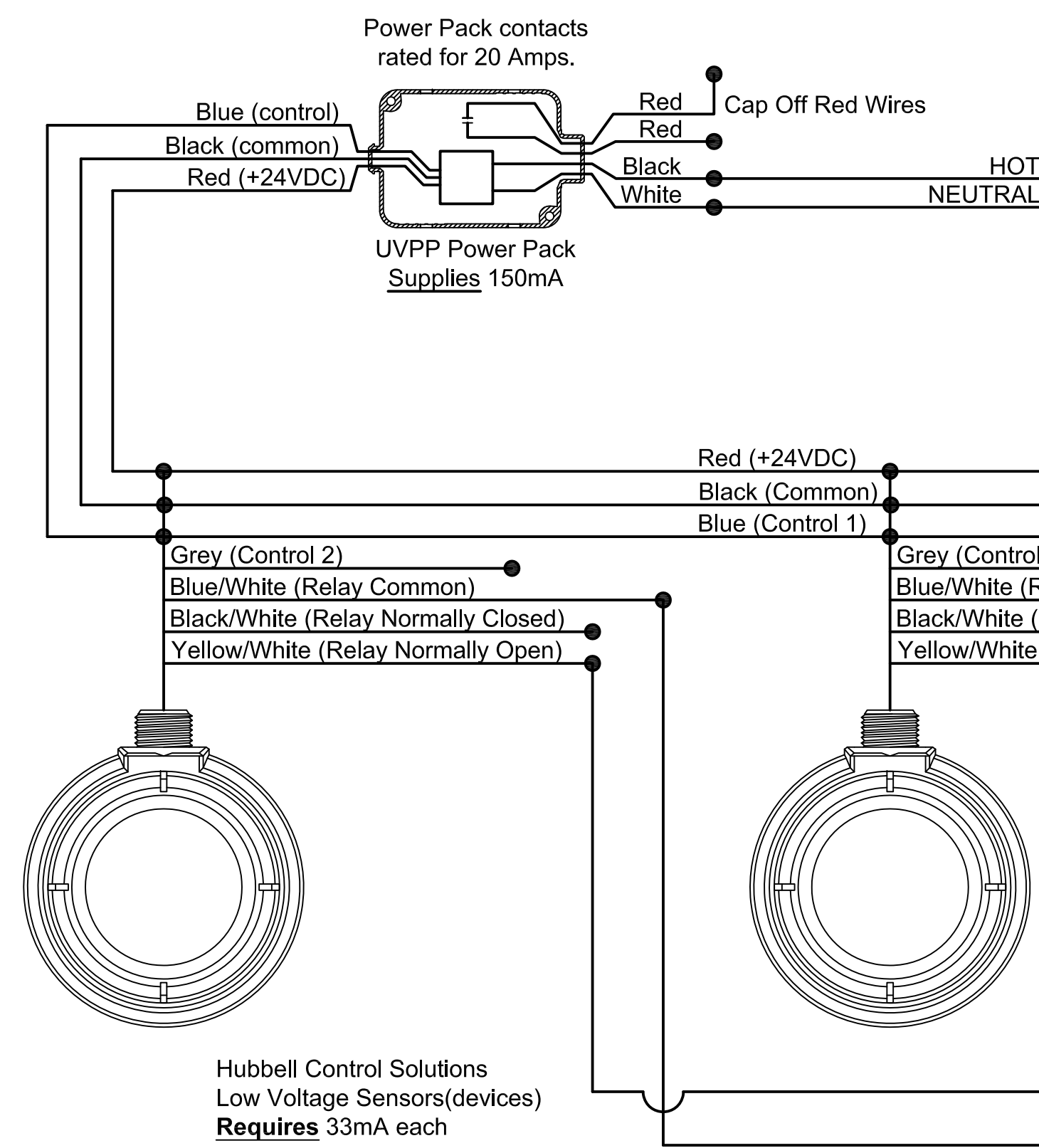


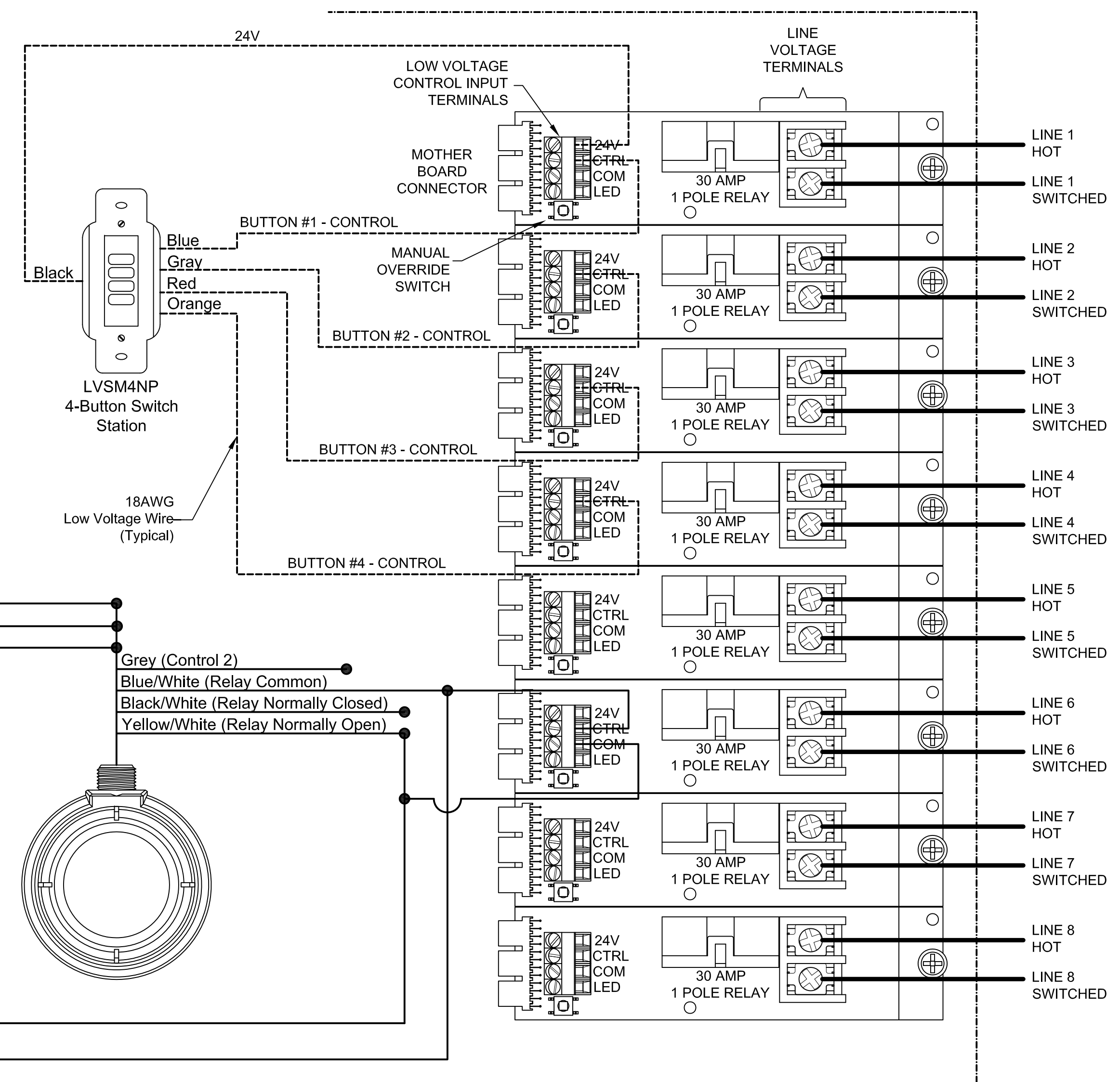
**DAYLIGHT SENSORS USING  
AUXILIARY INPUTS  
DETAIL**



**NOTES:**

1. Inputs for CX Panels do not determine what relays they are controlling.
2. Programming determines the functionality of an input.
3. This diagram is for reference purposes only. Any input can be used to control any relay.
4. If the Gym is to be controlled as two different section by occupancy then those sensors need to be broken out to separate inputs.
5. This design has the UVPP supplying the power to the Occupancy Sensors. If voltage to the power pack is stopped the sensors do not have the capability to activate the relays in the CX panel. This power must not be interrupted

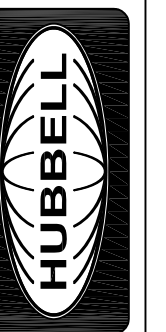
**CX PANEL ENCLOSURE**



**SINGLE POLE RELAY 30AMP  
CXR3L  
TYPICAL**

CX Panel 30 Amp with Single Pole Relays  
Wasp2 Sensors, LVSM4NP, and 2 Daylight Sensors

**HUBBELL**  
Control Solutions



9601 Dessau Road Building One  
Austin, Texas 78754  
www.Hubbell-Automation.com

**CX  
1**